

DH-CS4006-4ET2ET-60

6-Port Cloud Managed Desktop Switch with 4-Port PoE



- Meets the requirements of IEEE802.3, IEEE802.3u, IEEE802.3x, IEEE802.3ab standards.
- Meets the requirements of IEEE802.3af, IEEE802.3at, Hi-PoE power supply standards.
- Manages PoE power consumption and PoE power on/off. Supports Intelligent PoE.
- A wide operating temperature range and a full metal casing that is fully-enclosed and dust-proof.



System Overview

Highly intuitive, the Smart Managed Switch can manage local networks. With the DoLynk Care platform, it can also perform cloud management. The switch performs operation and maintenance using topology visualization on front-end, transmission and back-end storage devices that are in the security system and IT system. With its full metal design, the switch has great heat dissipation and can operate in temperatures ranging -10°C to 55°C. It offers EMC and has protection against overvoltage, overcurrent, static electricity, lightning strikes, pulses and other types of interference. For the PoE series Smart Managed Switch, power is supplied up to 250 meters away. The orange port supplies up to 60 W and the red port provides up to 90 W. Also, link aggregation and STP are available on select models to ensure the network remains stable.

The switch can be used in small and medium-sized businesses such as supermarkets, offices, restaurants, cafés and hotels.

Functions

Cloud Management

Devices can be managed through the DoLynk Care app and performs real-time monitoring of the network. The app also displays the status of devices, triggers alarms for errors in real time and sends notifications.

Network Topology Management

Supports the LLDP protocol and is able to generate and display the network topology, so that you can quickly identify issues, and perform operation and maintenance remotely on devices that are in the topology.

Long Distance PoE

The transmission distance of a PoE port can be up to 250 m, meeting the requirement of wired transmission (bandwidth reduced to 10 Mbps).

PoE Watchdog

Adopts the innovative PoE Watchdog. It enables the switch to automatically detect port status and restart the failed ports to recover connection in case of IPC connection exception. This enables intelligent operation and maintenance management in its true sense and effectively reduces manual maintenance costs.

Loop Protection

When a loop is detected, the loop alarm will be triggered and the elimination mechanism will activate to prevent broadcast storms from occurring.

Hi-PoE 60W (Orange Port)

In addition to the IEEE802.3af and IEEE802.3at standards, orange port also supports a maximum power output of 60W for powering high-power devices.

Specification

Basic

Layer	Layer 2
Switching Capacity	0.89 Gbps
Packet Forwarding Rate	1.2 Mpps
Description of Function Slots	Port 1-4: 4 × RJ-45 10/100 Mbps(PoE) Port 5-6: 2 × RJ-45 10/100 Mbps
Operating Temperature	-10 °C to +55 °C (+14 °F to 131 °F)
Operating Humidity	10%–90% (RH), non-condensing
Storage Temperature	-40 °C to +70 °C (-40 °F to 158 °F)
Storage Humidity	5%–95% (RH), non-condensing
Power Supply	External power supply: 53 VDC, 1.226 A
Power Consumption	Idling: ≤3 W Full load: 65 W
Statics Protection	Air discharge: 8 kV Contact discharge: 6 kV
Lightning Protection	Common mode: 4 kV Differential mode: 2 kV
Net Weight	0.28 kg (0.62 lb)
Gross Weight	0.92 kg (2.03 lb)
Product Dimensions	130 mm × 90 mm × 26 mm (5.11" × 3.54" × 1.02") (L × W × H)
Packaging Dimensions	265 mm × 238 mm × 76 mm (10.43" × 9.37" × 2.99") (L × W × H)
Casing Material	Sheet metal
Installation	Desktop mount; wall mount

PoE

PoE	Yes
PoE Power	Port 1 ≤ 60 W, Port 2-4 ≤ 30 W, total ≤ 60 W
PoE Protocol	IEEE 802.3af IEEE 802.3at Hi-PoE
PoE Power Consumption Management	Yes
PoE Pin Assignment	1, 2, 4, 5 (V+), 3, 6, 7, 8 (V-)
Long Distance PoE Transmission	Yes

Hardware

Ethernet Port	4
Reset Button	1

Performance

MTBF	232.62 years
Packet Buffer Size	4 Mbit
Jumbo Frame	9216 Byte
MAC Table Size	8K

Communication Standard	IEEE802.3; IEEE802.3u; IEEE802.3x
VLAN Number	32

Feature

VLAN Function	Port-based VLAN
Port Feature	IEEE 802.3x flow control unknown unicast suppression multicast storm control broadcast storm control
IEEE 802.3x Flow Control	Yes
Reliability	LLDP
DHCP Function	DHCP Client
Security	Port isolation
Equipment Management	Cloud-Management Web Logs

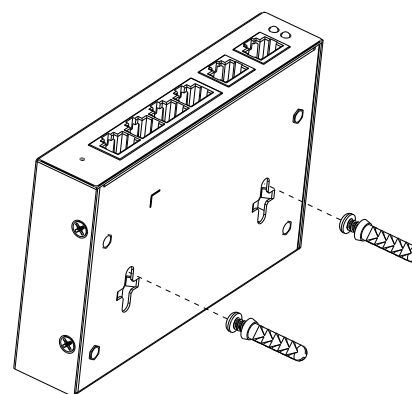
General

Packing List	1 × User Manual 1 × Legal and Regulatory Information 1 × Power Cord 1 × Rack-mounting Kit 1 × Position Map
--------------	--

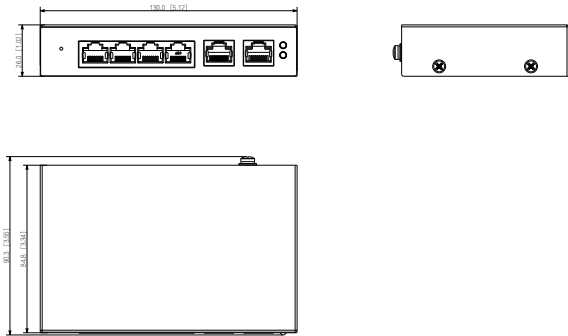
Ordering Information

Type	Model	Description
SFP module	GSFP-1310T-20-SMF	1.25G 1310/1550nm,20km,LC, Single-mode
	GSFP-1310R-20-SMF	1.25G 1550/1310nm,20km,LC, Single-mode
	GSFP-1310-20-SMF	1.25G 1310nm,20km,LC, Single-mode
	GSFP-850-MMF	1.25G 850nm,550m,LC, Multi-mode

Installation



Dimensions (mm[inch])



Panels

