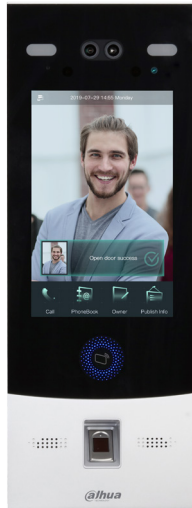


DHI-VT07541G

Digital Face Recognition Outdoor Station



- Anodized aluminium alloy middle frame
- 8 inch capacitive touch screen and high definition IPS screen; resolution: 800 (H)×1280 (V)
- Face, fingerprint, password, and card unlock
- Face verification accuracy>99%; face comparison time ≤0.2s per person; false recognition rate<0.1%
- Face profiles can be recognized, the profile angle range is 0°–90°
- Support liveness detection
- Full duplex communication
- Outdoor stations can be managed through the platform; voice communication between mobile app and platform
- 2 MP low illuminance wide dynamic dual camera; white light fill light and IR fill light, fill light brightness can be adjusted
- Support duress alarm, tamper alarm, and fire alarm
- IK07; IP66 (Apply silica gel to gaps between the device and the wall. Liquid sodium silicate is recommended. For details, see the quick start guide.)
- Surface mount and flush mount



Technical Specification

System

Main Processor	Embedded processor
Internet Protocol	IPv4, DNS, RTSP, RTP, TCP, UDP, SIP
Keyboard Type	Touch keyboard

Basic

Appearance	G serials
Display	High definition IPS screen
Screen Type	Capacitive screen
Resolution	800 (H)×1280 (V)
Camera	1/2.8" 2MP CMOS
Angle of View	H:88°, V:47°, D:105°
WDR	120dB
Light Compensation	Auto white light fill light Auto IR light fill light
Status Indicator	1, blue-operation status
Voice prompt	Yes

Housing Material

AL+PC+ABS

Function

Unlock Mode	Remote/password/face/fingerprint/card
Online Update	Yes
Full Duplex Communication	Yes
Snapshot When Unlocking Doors	Yes
Information Release	Words can be played on the outdoor station
Leave Photos and Messages	Yes
Web Configuration	Yes
Issue Card Locally	Yes
Auto-Registration	Yes

Performance

Face Recognition Range	Face-camera distance: 0.3 m–2.0 m Human height: 1.1 m–2.4 m
Face Recognition Configuration	Anti-fake switch Recognition threshold Facial profile angle
Face Verification Accuracy	>99%

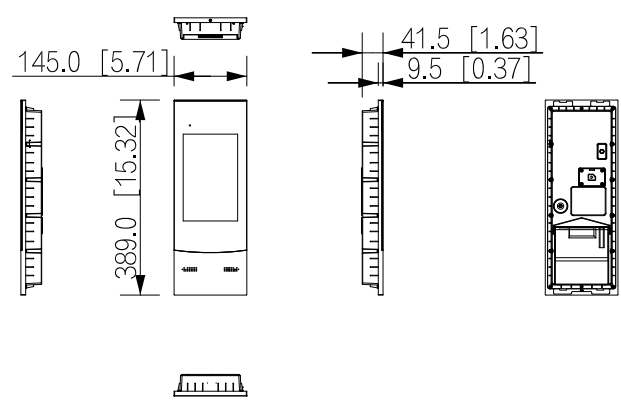
Face Comparison Time	≤0.2s
Capacity	
Face Capacity	20,000
Card Capacity	10,000
Fingerprint Capacity	10,000
Port	
RS-485	1
Wiegand	1 (input or output)
Ethernet	1 10M/100M/1000M Ethernet port
Alarm Input	2 (Switch quantity)
Alarm Output	2 (Dry contact)
Alarm Linkage	Yes
Power Output	1 DC 12V/100ma
Exit Button	1
Door Status Detection	1
Lock Control	1, normally on or off by default
Storage	Micro SD card (up to 64GB reserved for software)

Alarm	
Tamper Alarm	Yes
Duress Alarm	Yes
Door Sensor Timeout	Yes

Regular	
Ingress Protection	IP66 (Apply silica gel to gaps between the device and the wall. Liquid sodium silicate is recommended. For details, see the quick start guide.)
Power Supply	Optional
Power Supply Mode	DC 12V/2A
Power Consumption	≤24.0W
Product Dimensions	389mm×145mm×43mm (15.31"×5.71"×1.69")
Packaging Dimensions	413mm×182mm×104mm (16.26"×7.17"×4.09")
Operating Temperature	-20°C to +60°C (-4°F to +140°F)
Operating Humidity	10%RH–90%RH
Operating Altitude	86kPa–106kPa
Gross Weight	1.91kg (4.21 lb)
Accessory	Mount plate
Installation Method	Surface mount and flush mount
Operating Environment	Outdoor

Ordering Information		
Type	Model	Description
Outdoor Station	DHI-VT07541G	8 Inch Digital Face Recognition Outdoor Station VT07541G
Surface Mount Plate	VTM130	Surface Mounting Plate for VT065/75 Series Door Station (Used when the outdoor station is installed on the wall)
Flush Mount Plate	VTM121	Installation plate for 8 inch Digital Face Recognition Outdoor Station VT075X1G (Used when the outdoor station is installed in the wall)

Dimensions (mm[inch])



Application

