

DH-PFA3300R

Water-proof Junction Box



- Built of aluminum alloy.
- IP66 rated.
- Suitable for a variety of cameras.
- Elegant and easy to install.



System Overview

Dahua Junction Box is beautifully designed and highly convenient. Cables can be organized in it and there are outlets at the bottom and side of the box, making it easy to install and use.

Scene

Ideal for mounting cameras, and works in temperatures ranging from $-40\text{ }^{\circ}\text{C}$ to $+60\text{ }^{\circ}\text{C}$ ($-40\text{ }^{\circ}\text{F}$ to $+140\text{ }^{\circ}\text{F}$) and in environments with a relative humidity of less than 90%.

Technical Specification

Structure

| | |
|----------------------|--|
| Casing Material | Aluminum alloy |
| Product Dimensions | $\Phi 101.2\text{ mm} \times 48.2\text{ mm}$ ($\Phi 3.98" \times 1.90"$) |
| Appearance Color | White |
| Net Weight | 0.32 kg (0.71 lb) |
| Gross Weight | 0.51 kg (1.12 lb) |
| Load Bearing | 3 kg (6.61 lb) |
| Installation | Junction Mount |
| Screw Thread Type | G3/4 |
| Applicable Model | Please see "Camera Accessories Selection" |
| Packaging Dimensions | $187.0\text{ mm} \times 164.0\text{ mm} \times 72.0\text{ mm}$ ($7.36" \times 6.46" \times 2.83"$) (L x W x H) |

Environment

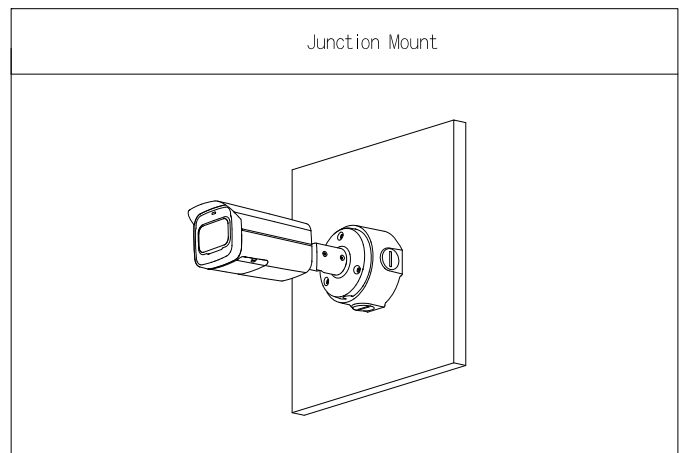
| | |
|------------|------|
| Protection | IP66 |
|------------|------|

| | |
|-----------------------|--|
| Operating Temperature | $-40\text{ }^{\circ}\text{C}$ to $+60\text{ }^{\circ}\text{C}$ ($-40\text{ }^{\circ}\text{F}$ to $+140\text{ }^{\circ}\text{F}$) |
| Operating Humidity | <90% (RH) |
| Storage Temperature | $-40\text{ }^{\circ}\text{C}$ to $+60\text{ }^{\circ}\text{C}$ ($-40\text{ }^{\circ}\text{F}$ to $+140\text{ }^{\circ}\text{F}$) |
| Storage Humidity | 10%–90% (RH) |
| Anti-corrosion Level | Basic Protection |

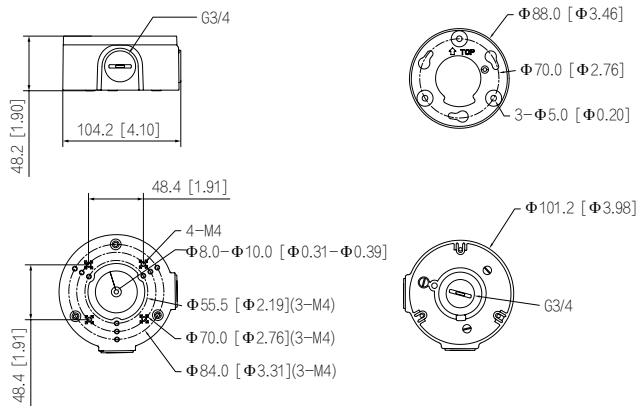
Ordering Information

| Type | Model | Description |
|--------------|-------------|--------------------------|
| Camera Mount | DH-PFA3300R | Water-proof Junction Box |
| | PFA3300R | Water-proof Junction Box |

Installation



Dimensions (mm[inch])



Package Information

- Junction box × 1
- M4x10 screw × 4
- ST4x25 screws × 3
- Plastic expansion bolt × 3
- S3.0 Wrench × 1
- Water joint × 1
- Mounting Sticker × 1
- Mounting Plate × 1