

DH-HAC-ME1509TQ-A-PV

5MP Smart Dual Illuminators Active Deterrence HDCVI Eyeball Camera



System Overview

The Active Deterrence Series offers a multi-dimensional system that links surveillance videos to alarms, audio prompts and various types of information to assist with verifying potential risks. Cameras in this series actively warn off intruders with light and sound, while keeping you up to date of events in real-time through alarm-over-coax and its live view.

Functions

Smart Dual Illuminators

With its smart dual illumination mechanism, the camera automatically turns on the white light when Perimeter Protection/SMD Plus function of AI XVR detects a target in the rule area to capture clear, vivid images. When the target leaves the rule area, the camera automatically switches over from the white light to the IR illuminator to significantly reduce light pollution.

Protection Against Red-Blue Light Interference

Leveraging smart exposure technology, the camera uses the CMOS image sensor to exercise time-sharing control over image capture and the red and blue lights to eliminate interference by switching off the lights when pictures are being taken.

Active Deterrence (Red-blue Light)

Designed with active deterrence technology, the camera turns on a siren and a red-blue light that flashes in intervals to deter and warn off intruders. The siren has customizable settings.

Wide Dynamic Range

With its advanced Wide Dynamic Range technology (WDR), the camera captures highly detailed images and produces high-definition recordings in high-contrast lighting conditions, and in scenes with backlighting or shadows.

* The parameters and datasheets below can only be applied to ME1509-S2 series. Intelligent Voice Alarm function which can be used with Scheduled AI of AI XVR is only available for TIOC 2.0 camera.

* In order to use the 5 MP 16:9 HDCVI camera, the firmware of XVR must be upgraded to V4.001.0000001.0.R.200908 or later version.

- Max 25 fps@5 MP (16:9 video output).
- 120 dB true WDR, 3D NR.
- Smart Dual Illuminators.
- Protection Against Red-Blue Light Interference.
- Active deterrence with red blue light, siren and alarm out interface.
- 40 m illumination distance.
- Super Adapt.
- Built-in MIC.
- 3.6 mm fixed lens (2.8 mm optional).
- CVI/CVBS/AHD/TVI switchable.
- IP67, 12 VDC.
- Quick-to-install eyeball saves installation time.



Broadcast-quality Audio

Audio signal transmission over coaxial cables is supported by the HDCVI camera. It adopts a unique audio processing and transmission technology that restores source audio and eliminates noise, ensuring the quality and reliability of the audio information that is collected. This becomes important for video surveillance applications that use audio information as a type of supplementary evidence.

Super Adapt

With its intelligent algorithm, the camera automatically adjusts its parameters to provide optimal performance and vivid images.

Advanced 3DNR

Dahua's advanced 3DNR technology reduces image noise with little to no impact on image sharpness, especially in poor lighting conditions. It detects the noise, and compares the sequential frames to effectively reduce the noise. It also makes efficient use of bandwidth, saving on storage space.

Protection (IP67, Wide Voltage)

IP67: The camera passed a series of rigorous dust and immersion tests. Its enclosure is both dust-proof and waterproof, and can function normally while being immersed in 1 m deep water for up to 30 minutes.
Wide voltage: The camera has $\pm 30\%$ input voltage tolerance (for some power supplies) and a wide voltage range, making it suitable for a variety of outdoor scenarios.

Easy Installation

HDCVI quick-to-install eyeball adopts quick-to-install pedestal, which can achieve easier installation than conventional eyeball. Quick-to-install camera reduces time and labor costs.

Technical Specification

Camera

Pixel	5 MP
Image Sensor	5 MP CMOS
Max. Resolution	2880 (H) × 1620 (V)
Scanning System	Progressive
Electronic Shutter Speed	PAL: 1/3 s–1/100000 s NTSC: 1/4 s–1/100000 s
Min. Illumination	0.001 lux@F1.0 (Color, 30 IRE) 0.0001 lux@F1.0 (B/W, 30 IRE) 0 lux (Illuminator on)
S/N Ratio	>65 dB
Illumination Distance	IR: 40 m (131.23 ft) Warm light: 40 m (131.23 ft)
Illuminator On/Off Control	Auto; manual
Illuminator Number	2 (IR light)
	2 (Warm light)
Pan/Tilt/Rotation Range	Pan: 0°–360° Tilt: 0°–78° Rotation: 0°–360°

Lens

Lens Type	Fixed-focal				
Lens Mount	M12				
Focal Length	2.8 mm; 3.6 mm				
Max. Aperture	F1.0				
Field of View	2.8 mm: H: 111°; V: 57°; D: 131° 3.6 mm: H: 89°; V: 47°; D: 104°				
Iris Control	Fixed				
Close Focus Distance	2.8 mm: 1.5 m (4.92 ft) 3.6 mm: 2.2 m (7.22 ft)				
DORI Distance	Lens	Detect	Observe	Recognize	Identify
	2.8 mm	66.0 m (216.54 ft)	26.4 m (86.61 ft)	13.2 m (43.31 ft)	6.6 m (21.65 ft)
	3.6 mm	78.0 m (255.91 ft)	31.2 m (102.36 ft)	15.6 m (51.18 ft)	7.8 m (25.59 ft)

Video

Video Frame Rate	CVI: PAL: 5M@25 fps; 4M@25 fps; 1080p@25 fps NTSC: 5M@30 fps; 4M@30 fps; 1080p@30 fps; AHD: PAL: 4M@25 fps; NTSC: 4M@30 fps; TVI: PAL: 4M@25 fps; NTSC: 4M@30 fps; CVBS: PAL: 960H; NTSC: 960H
Resolution	5M (2880 × 1620); 4M (2560 × 1440); 1080p (1920 × 1080); 960H (960 × 576/960 × 480)
Day/Night	Auto (ICR)/Color/B/W
BLC	BLC; HLC; WDR; HLC-Pro

WDR	120dB
White Balance	Auto; Area white balance
Gain Control	Auto; manual
Noise Reduction	3D NR
Illumination Mode	Smart IR&WL; WL Mode; IR Mode
Defog	Electronic defog
Digital Zoom	4×
Mirror	Yes
Privacy Masking	Off/On (8 areas, rectangle)

Active Deterrence

Sound Warning	Audio 1: Alarm Audio 2: No parking here Audio 3: Private land no entry. Audio 4: Warning zone keep off Audio 5: Welcome Volume: high/medium/low; duration: 5 s–60 s; 110 dB
Red/Blue Light Warning	Flash: 5 s–60 s; frequency: high/medium/low

Certification

Certifications	CE (EN55032:2015, EN61000-3-2:2014, EN61000-3-3:2013, EN55024:2010+A1:2015, EN55035:2017, EN50130-4:2011+A1:2014, EN62368-1:2014+A11:2017) FCC (CFR 47 FCC Part 15 subpartB, ANSI C63.4-2014) UL (UL62368-1+CAN/CSA C22.2 No.62368-1-14)
----------------	--

Port

Video Output	Video output choices of CVI/TVI/AHD/CVBS by one BNC port
Audio Input	One channel built-in MIC
Alarm Output	1 channel

Power

Power Supply	12 VDC ± 30% (It is recommended to use a power adapter to supply the power for one camera)
Power Consumption	Max. 10.5 W (12 VDC, IR on)

Environment

Operating Temperature	–40 °C to +60 °C (–40 °F to 140 °F)
Operating Humidity	<95% (RH), non-condensing
Storage Temperature	–40 °C to +60 °C (–40 °F to 140 °F)
Protection	IP67

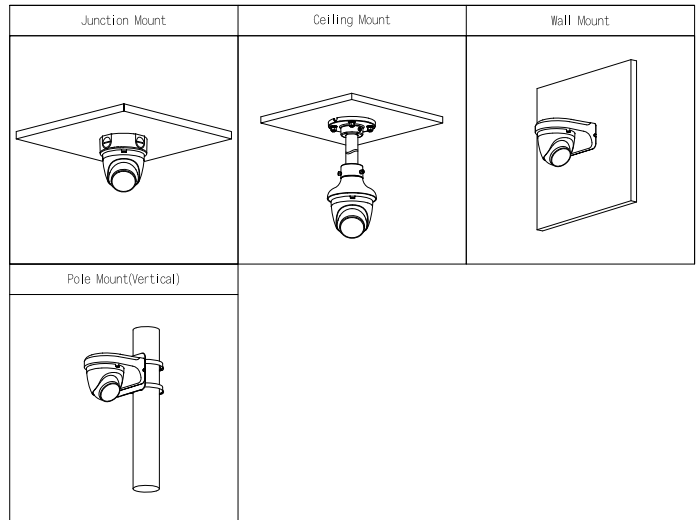
Structure

Casing Material	Dome (metal + plastic) + plastic enclosure
Product Dimensions	Φ109.9 mm × 100.9 mm (Φ4.33" × 3.97")
Packaging Dimensions	148 mm × 139 mm × 137 mm (5.83" × 5.47" × 5.39")
Net Weight	0.35 kg (0.77lb)
Gross Weight	0.53 kg (1.17 lb)
Installation	Wall mount; ceiling mount; vertical pole mount

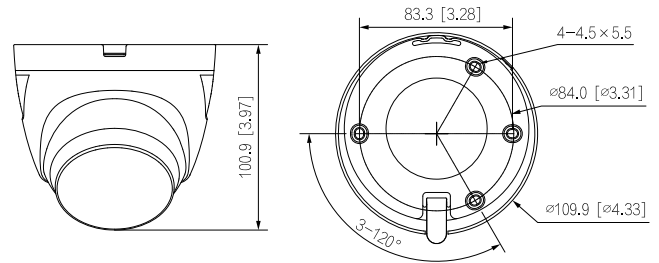
Active Deterrence Series | DH-HAC-ME1509TQ-A-PV

Ordering Information

Type	Part Number	Description
5MP Camera	DH-HAC-ME1509TQP-A-PV	5MP Smart Dual Illuminators Active Deterrence HDCVI Eyeball Camera, PAL
	DH-HAC-ME1509TQN-A-PV	5MP Smart Dual Illuminators Active Deterrence HDCVI Eyeball Camera, NTSC
Accessories (Optional)	PFA13G	Junction Mount
	PFB205W	Wall Mount Bracket (For use alone or with PFA152-E)
	PFA152-E	Pole Mount Bracket (For use with PFB205W)
	PFA109	Ceiling Mount (For use alone or with PFB220C)
	PFB220C	Ceiling Mount (For use alone or with PFA109)
	PFM320D	12V 2A Power Adapter
	PFM904	Integrated Mount Tester
	PFM800-4K	1-CH Passive Video Balun
	ARA11	Indoor Siren
	ARA16	Outdoor Siren



Dimensions (mm[inch])



Accessories

Optional:



PFA13G
Junction
Mount



PFB205W
Wall Mount Bracket
(For use alone or with
PFA152-E)



PFA152-E
Pole Mount Bracket
(For use with
PFB205W)



PFA109
Ceiling Mount
(For use alone or with
PFB220C)



PFB220C
Ceiling Mount
(For use alone or with
PFA109)



PFM320D
12V 2A Power
Adapter



PFM904
Integrated
Mount Tester



PFM800-4K
1-CH Passive
Video Balun



ARA11
Indoor Siren



ARA16
Outdoor Siren